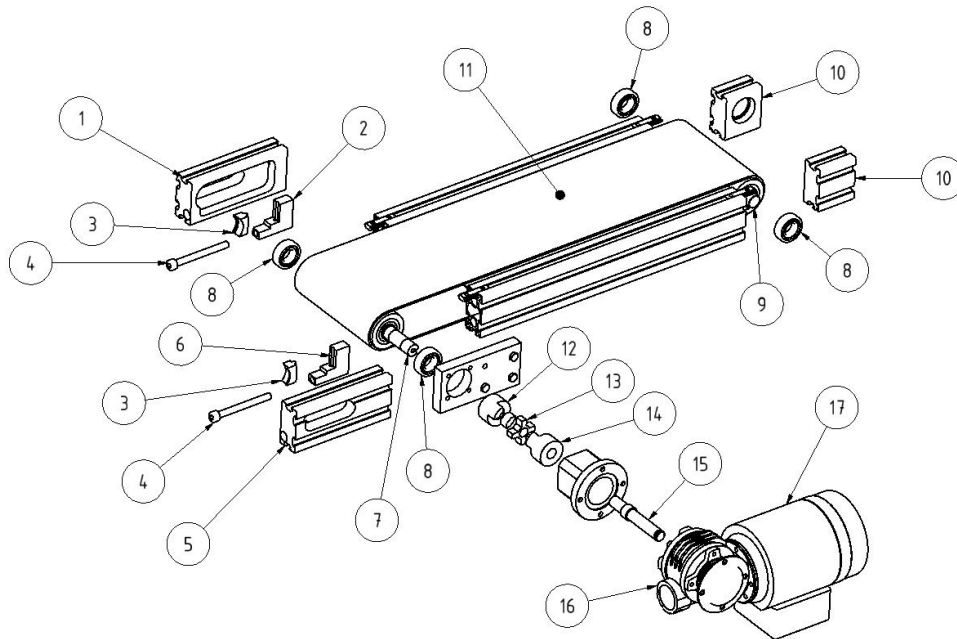


Spare part list

Conveyor KA3060 with drive-tension-part

Projectnumber : _____



pos.	term	quantity	comment
01	drive-tension-part right	1	
02	tensioning part right	1	to drive-tension-part
03	bearing shell	2	to drive-tension-part
04	tensioning screw l6kt M8x90	2	
05	drive-tension-part left	1	
06	tensioning part left	1	to drive-tension-part
07	drive roller complete	1	
08	bearing 6003 2RS	4	
09	deflection roller complete	1	to KA3060 with drive-tension-part
10	head piece closed	2	
11	belt	1	type: width: length:
12	coupler L050 bore hole 16mm	1	
13	coupler L050 Hytrel star	1	
14	coupler L050 bore hole 14mm	1	
15	arbot to gearbox HM 030	1	
16	gearbox HM 030	1	gear ratio:
17	motor	1	power: kW drive: rpm