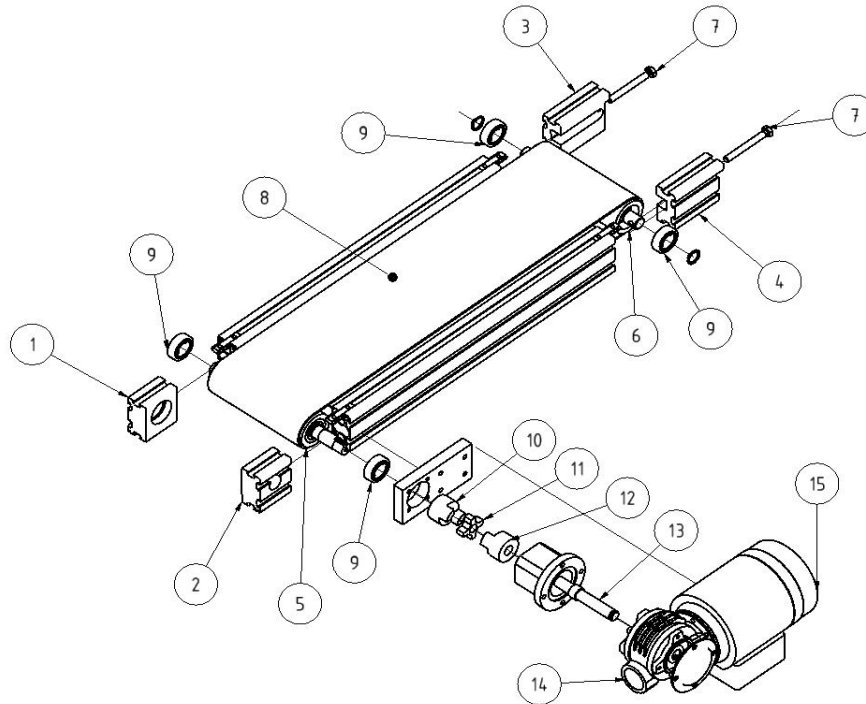


## Spare part list

**Conveyor KA3060**

Projectnumber : \_\_\_\_\_



pos.	term	quantity	comment
01	head piece closed	1	
02	head piece with bore	1	
03	tensioning part right	1	long Version for conveyor over 3m length
04	tensioning part left	1	long Version for conveyor over 3m length
05	drive roller complete	1	
06	deflection roller complete	1	
07	tensioning screw 6kt M8x70	2	
08	belt	1	type:                      width:                      length:
09	bearing 6003 2RS	4	
10	coupler L050 bore hole 16mm	1	
11	coupler L050 Hytrel star	1	
12	coupler L050 bore hole 14mm	1	
13	arbot to gearbox HM 030	1	
14	gearbox HM 030	1	gear ratio:
15	motor	1	power:                      kW drive:                      rpm