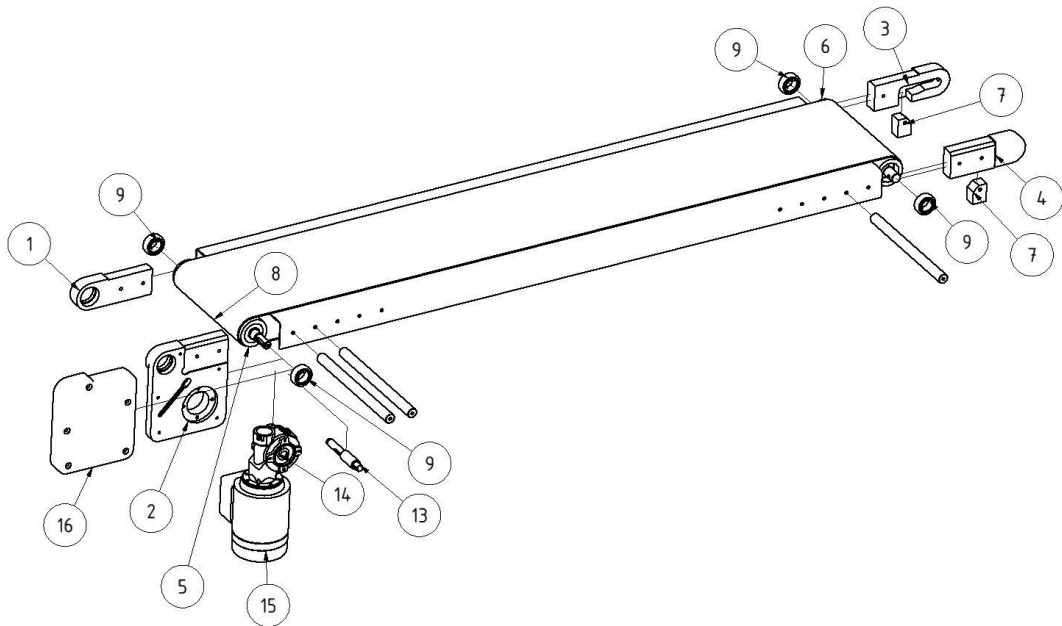


Spare part list

Conveyor INOX60

Projectnumber : _____



pos.	term	quantity	comment
01	head piece closed	1	
02	head piece with bore	1	
03	tensioning part right	1	
04	tensioning part left	1	
05	drive roller complete	1	
06	deflection roller complete	1	
07	tensioning screw 6kt M8x70	2	
08	belt	1	type: width: length:
09	bearing 6004 2RS	4	
10	chain wheel	1	Z=12
11	chain wheel	1	Z=12
12	chain	1	
13	spindel to gearbox HM 030	1	
14	gearbox HM 030	1	gear ratio:
15	motor	1	power: kW drive: rpm
16	motor cover	1	